

Product Data Sheet

Rotary Counters

UK36:

A robust and flexible light-weight mechanical rotary counter with high number of digits for use in various industrial applications where a rotary movement requires counting, such as the rotations of a wheel etc. The spindle can extend to the right or left and can be driven accordingly. This counter is manufactured to the protection rating **IP55** (dust and water jet proof) and is supplied with a fixing plate. A zeroing of the display is accomplished by turning the reset knob.

Technical Details:

Display/Size: 5 digits, 3.5 x 4.5 mm

Increment: 1 or 10 counts for every rotation (1:1 or 1:10). Max. 5000 or 500 rpm.

Actuation: counting up or down, on left or right.
Torque: approx. 100 cNcm

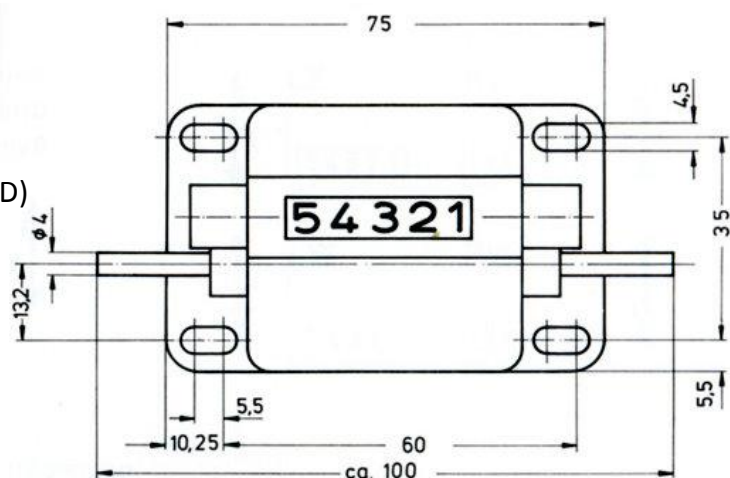
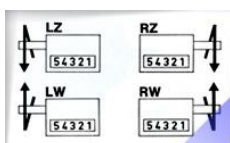
Reset: knob

Assembly: fibreglass reinforced plastic

Cover: wear-resistant plastic (IP55)

Measurements: see drawing
Case approx. 60 x 55 x 27 mm (W x H x D)

Weight: approx. 45 g



All specifications subject to change without notice

Hilss GmbH

Modastr. 15, 64686 Lautertal, Germany

Tel: +49 6254556 | Mobile: +49 1603681323 | Telefax: +49 625420 87

E-Mail: info@hilss-gmbh.de | Internet: www.hilss-gmbh.de